

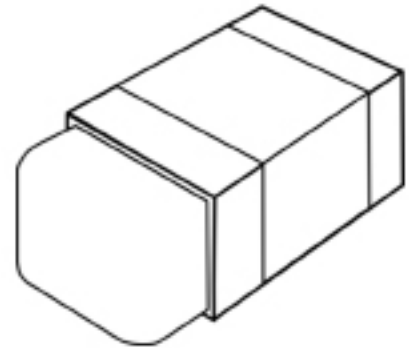
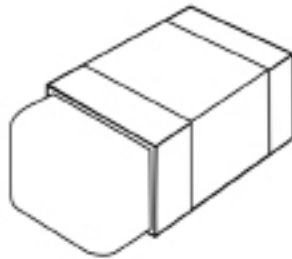
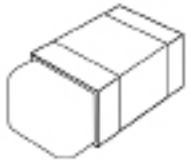
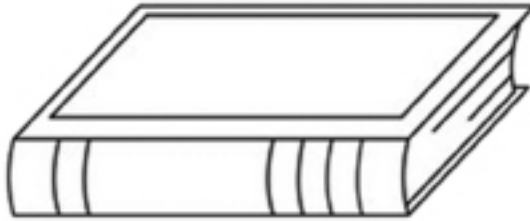
Day: \_\_\_\_\_

Date: \_\_\_\_\_

# Activity 5

Colour the big objects.

Point and read



Colour the smallest one.

Point and read

