

Day: _____

Date: _____

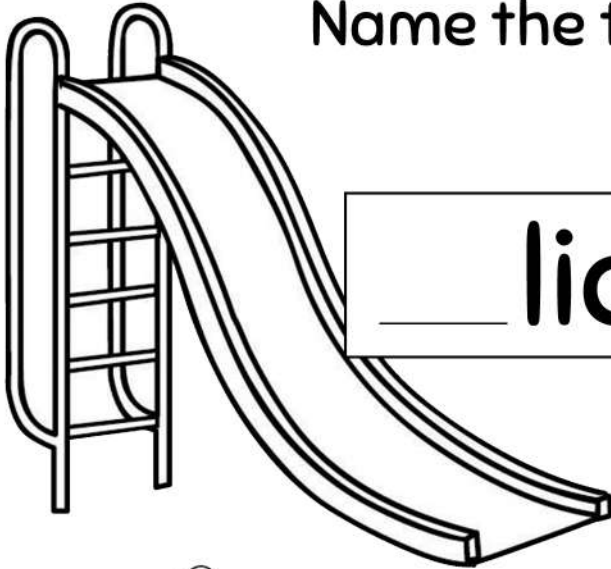
Activity 14

Fill in the blanks.

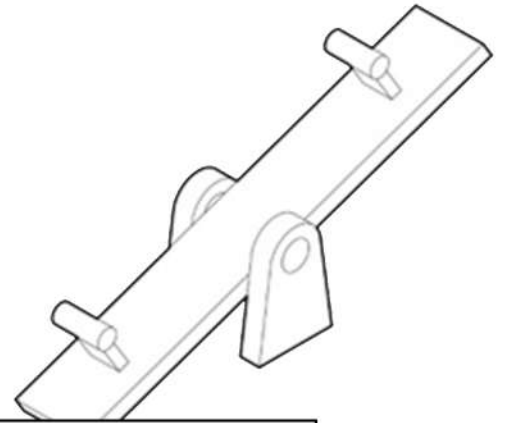
Point and read



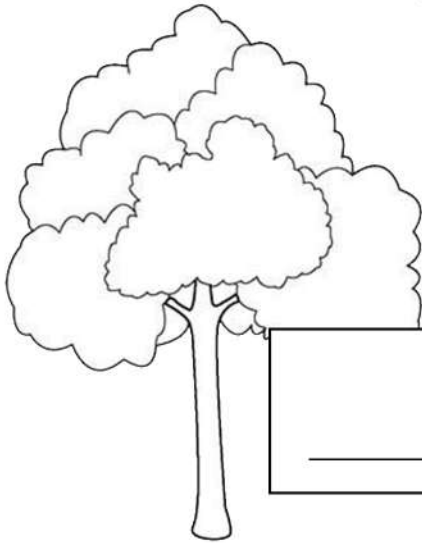
Name the things in the park.



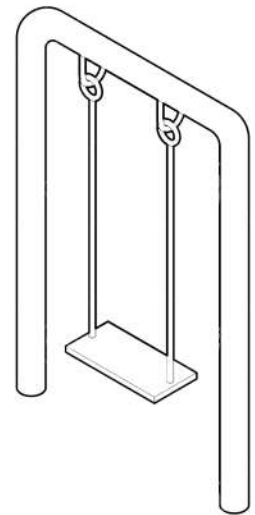
___ lide



___ eesaw



___ ree



___ wing



___ ond

